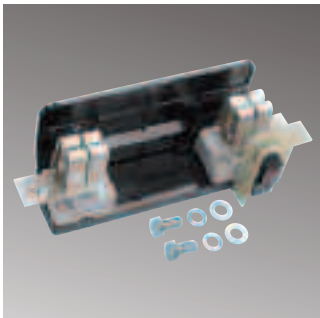
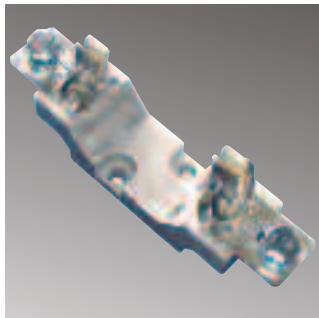


# Basic Efficiency

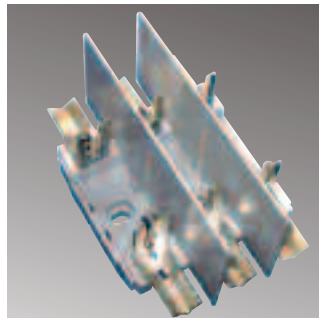
**NH Fuse-Bases  
up to 1500 V**



**NH Fuse-Bases  
1-pole**



**NH Fuse-Bases  
3-pole**



**NH Fuse-Bases  
SILAS**





# Content

|  |                    |
|--|--------------------|
| NH Fuse-Bases<br>690 V AC for baseplate,<br>busbar and supporting<br>rail mounting | <b>60</b>          |
| Accessories  | <b>62</b>          |
| Technical Data   | <b>see page 65</b> |

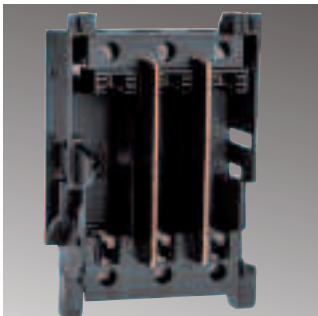
## System

The EFEN NH Fuse-Bases successfully provide a simple way to integrate NH Fuse-Links into a power distribution system. The product-range includes size 000 to 3L for all common installation systems as well as special applications. A wide assortment of accessories completes this product-range.

## Features

The special advantage of the open NH Fuse-Bases is the application of NH Fuse-Links with high power dissipation such as gR Fuse-Links which are especially used to secure machinery. Due to the accessory-line, a protection against contact can also be obtained subsequently.

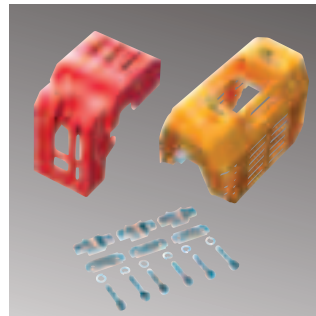
**NH Fuse-Base,  
3-pole, size 000  
for baseplate and supporting rails**



**NH Fuse-Base  
for busbar mounting**



**Accessories**



## NH Fuse-Bases 690 V AC - 1500 V AC, acc. to VDE 0636 T201 / IEC 60269-2-1



33600-0020

### NH Fuse-Bases 690 V AC

**Properties:**

- 1-pole for baseplate mounting, without phase barrier and contact cover
- including the material for cable connection. (Exception V-clamps)

| Description   | Size | Amps | Order-No.         | PU | PG   | Sur. Ag | Sur. Cu | Price €/pc. |
|---|------|------|-------------------|----|------|---------|---------|-------------|
| Multiple use terminal with pressure plates for cable 1,5 - 50 mm <sup>2</sup> | 00   | 125  | <b>33600-0030</b> | 12 | NU 1 | 0,003   | 0,009   | 12,15       |
| Flat terminal M8  | 00   | 160  | <b>33600-0010</b> | 12 | NU 1 | 0,003   | 0,009   | 9,90        |
| Inserted screw nut M8   | 00   | 160  | <b>33600-0020</b> | 12 | NU 1 | 0,003   | 0,009   | 13,25       |
| Multiple use terminal with pressure plates and prism 1,5 - 70 mm <sup>2</sup> | 00   | 160  | <b>33600-0040</b> | 12 | NU 1 | 0,003   | 0,009   | 14,45       |
| V-stamped (clamps not included)   | 00   | 160  | <b>33600-0050</b> | 12 | NU 1 | 0,003   | 0,009   | 9,95        |
| Clamb for 2 x 35 mm <sup>2</sup>  | 00   | 160  | <b>33600-0060</b> | 12 | NU 1 | 0,003   | 0,009   | 14,45       |
| Flat terminal M10   | 1    | 250  | <b>33627-0010</b> | 3  | NU 1 | 0,007   | 0,026   | 28,78       |
| Inserted screw nut M10  | 1    | 250  | <b>33627-0020</b> | 3  | NU 1 | 0,007   | 0,026   | 32,05       |
| V-stamped (clamps not included)   | 1    | 250  | <b>33627-0050</b> | 3  | NU 1 | 0,007   | 0,026   | 26,50       |
| Flat terminal M10   | 2    | 400  | <b>33632-0010</b> | 3  | NU 1 | 0,013   | 0,046   | 38,65       |
| Inserted screw nut M10  | 2    | 400  | <b>33632-0020</b> | 3  | NU 1 | 0,013   | 0,046   | 42,00       |
| V-stamped (clamps not included)   | 2    | 400  | <b>33632-0050</b> | 3  | NU 1 | 0,013   | 0,046   | 35,85       |
| Flat terminal M12   | 3    | 630  | <b>33035-0020</b> | 3  | NU 1 | 0,014   | 0,059   | 54,15       |
| Inserted screw nut M10  | 3    | 630  | <b>33036-0020</b> | 3  | NU 1 | 0,014   | 0,059   | 54,15       |



33608-0010

### NH Fuse-Bases 690 V AC

**Properties:**

- 3-pole for baseplate mounting, including 2 phase barriers and without contact cover
- including the material for cable connection. (Exception V-clamps)

| Description   | Size | Amps | Order-No.         | PU | PG   | Sur. Ag | Sur. Cu | Price €/pc. |
|---|------|------|-------------------|----|------|---------|---------|-------------|
| Multiple use terminal with pressure plates for cable 1,5 - 50 mm <sup>2</sup>           | 00   | 125  | <b>33608-0030</b> | 4  | NU 1 | 0,007   | 0,015   | 44,30       |
| Flat terminal M8  | 00   | 160  | <b>33608-0010</b> | 4  | NU 1 | 0,007   | 0,015   | 28,75       |
| Inserted screw nut M8   | 00   | 160  | <b>33608-0020</b> | 4  | NU 1 | 0,007   | 0,015   | 37,60       |
| Multiple use terminal with pressure plates and prism for cable 1,5 - 70 mm <sup>2</sup> | 00   | 160  | <b>33608-0040</b> | 4  | NU 1 | 0,007   | 0,015   | 48,60       |
| V-stamped (clamps not included)   | 00   | 160  | <b>33608-0050</b> | 4  | NU 1 | 0,007   | 0,015   | 34,30       |
| Clamb for 2 x 35 mm <sup>2</sup>  | 00   | 160  | <b>33608-0060</b> | 4  | NU 1 | 0,007   | 0,015   | 43,10       |
| Flat terminal M10   | 1    | 250  | <b>33631-0010</b> | 1  | NU 1 | 0,020   | 0,077   | 110,10      |
| Inserted screw nut M10  | 1    | 250  | <b>33631-0020</b> | 1  | NU 1 | 0,020   | 0,077   | 127,79      |
| V-stamped (clamps not included)   | 1    | 250  | <b>33631-0050</b> | 1  | NU 1 | 0,020   | 0,077   | 105,00      |
| Flat terminal M10   | 2    | 400  | <b>33633-0010</b> | 1  | NU 1 | 0,040   | 0,138   | 123,00      |
| Inserted screw nut M10  | 2    | 400  | <b>33633-0020</b> | 1  | NU 1 | 0,040   | 0,138   | 138,00      |
| V-stamped (clamps not included)   | 2    | 400  | <b>33633-0050</b> | 1  | NU 1 | 0,020   | 0,077   | 117,00      |
| Flat terminal M12   | 3    | 630  | <b>33037-0010</b> | 1  | NU 1 | 0,042   | 0,197   | 178,70      |

## NH Fuse-Bases 690 V AC - 1500 V AC, acc. to VDE 0636 T201 / IEC 60269-2-1



33602-0020

### NH Fuse-Bases 690 V AC

**Properties:**

- 1-pole for mounting onto supporting rails, without phase barrier and contact cover
- including the material for cable connection. (Exception V-clamps)

| Description   | Size | Amps | Order-No.         | PU | PG   | Sur. Ag | Sur. Cu | Price €/pc. |
|---|------|------|-------------------|----|------|---------|---------|-------------|
| Multiple use terminal with pressure plates for cable 1,5 - 50 mm <sup>2</sup>           | 00   | 125  | <b>33602-0030</b> | 12 | NU 1 | 0,003   | 0,009   | 13,25       |
| Flat terminal M8  | 00   | 160  | <b>33602-0010</b> | 12 | NU 1 | 0,003   | 0,009   | 11,10       |
| Inserted screw nut M8   | 00   | 160  | <b>33602-0020</b> | 12 | NU 1 | 0,003   | 0,009   | 12,15       |
| Multiple use terminal with pressure plates and prism for cable 1,5 - 70 mm <sup>2</sup> | 00   | 160  | <b>33602-0040</b> | 12 | NU 1 | 0,003   | 0,009   | 16,60       |
| V-stamped (clamps not included)   | 00   | 160  | <b>33602-0050</b> | 12 | NU 1 | 0,003   | 0,009   | 11,10       |
| Clamp for 2 x 35 mm <sup>2</sup>  | 00   | 160  | <b>33602-0060</b> | 12 | NU 1 | 0,003   | 0,009   | 15,50       |

NU



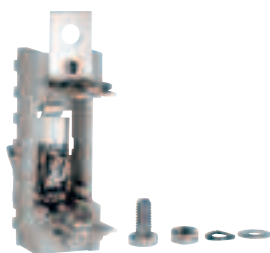
33125-0010

### NH Fuse-Bases 690 V AC, Gr. 000

**Properties:**

- 3-pole for mounting on supporting rails or baseplates

| Description  | Size | Amps | Order-No.         | PU | PG   | Sur. Ag | Sur. Cu | Price €/pc. |
|--|------|------|-------------------|----|------|---------|---------|-------------|
| Box terminal 1,5 - 50 mm <sup>2</sup> , for supporting rails | 000  | 160  | <b>33125-0010</b> | 10 | NU 1 | 0,005   | 0,017   | 34,30       |



33003-0020

### NH Fuse-Bases 690 V AC

**Properties:**

- 1-pole for busbar mounting, including 2 phase barriers and without contact cover

| Description                          | Size | Amps    | Order-No.         | PU | PG   | Sur. Ag | Sur. Cu | Price €/pc. |
|--------------------------------------|------|---------|-------------------|----|------|---------|---------|-------------|
| Flat terminal M8, mounting by clamps | 00   | 160     | <b>33001-0020</b> | 10 | NU 1 | 0,004   | 0,011   | 13,25       |
| Flat terminal M8, mounting by hooks  | 00   | 160     | <b>33003-0020</b> | 10 | NU 1 |         |         | 16,50       |
| Flat terminal M12 mounting by screws | 1-3  | 250-630 | <b>33135-0010</b> | 3  | NU 1 | 0,016   | 0,077   | 60,80       |



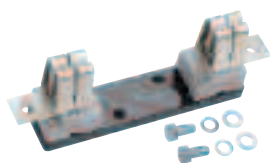
33120-0010

### NH Fuse-Bases 690 V AC

**Properties:**

- 1-pole for baseplate mounting and for mounting onto supporting rail

| Description                            | Size | Amps | Order-No.         | PU | PG   | Sur. Ag | Sur. Cu | Price €/pc. |
|--|------|------|-------------------|----|------|---------|---------|-------------|
| Flat terminal M8, baseplate mounting   | 00   | 160  | <b>33120-0010</b> | 10 | NU 1 | 0,002   | 0,006   | 10,40       |
| Flat terminal M8, for supporting rails | 00   | 160  | <b>33120-0070</b> | 10 | NU 1 | 0,002   | 0,006   | 12,15       |



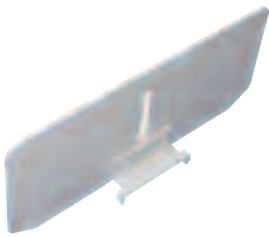
33039-0010

### NH Fuse-Bases 1500 V AC

**Properties:**

- NH Fuse-Bases for the size 3L, baseplate mounting

| Description                                  | Size | Amps | Order-No.         | PU | PG   | Sur. Ag | Sur. Cu | Price €/pc. |
|--|------|------|-------------------|----|------|---------|---------|-------------|
| Inserted screw nut M12, without micro switch | 3L   | 425  | <b>33039-0010</b> | 1  | NU 1 | 0,024   | 0,066   | 109,40      |
| Inserted screw nut M12, with micro switch    | 3L   | 425  | <b>33041-0010</b> | 1  | NU 1 | 0,024   | 0,066   | 170,00      |
| Inserted screw nut M16, without micro switch | 3L   | 630  | <b>33040-0010</b> | 1  | NU 1 | 0,028   | 0,102   | 124,90      |
| Inserted screw nut M16, with micro switch    | 3L   | 630  | <b>33042-0010</b> | 1  | NU 1 | 0,028   | 0,102   | 212,00      |

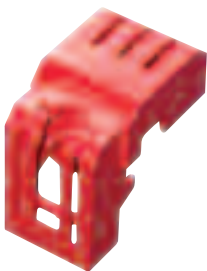
**NH Fuse-Bases 690 V AC - 1500 V AC  
acc. to VDE 0636 T201 / IEC 60269-2-1**
**Accessories**


90181-0100

**Phase barrier**
**Properties:**

- for NH Fuse-Bases (series 336...)

| Description                              | Size | Amps | Order-No.         | PU | PG   | Sur. Ag | Sur. Cu | Price €/pc. |
|--|------|------|-------------------|----|------|---------|---------|-------------|
| Phase barrier                            | 00   |      | <b>30744-0100</b> | 1  | NU 1 |         |         | 2,25        |
| Phase barrier                            | 00   |      | <b>30780-0100</b> | 1  | NU 1 |         |         | 1,15        |
| Phase barrier short 130 mm               | 00   |      | <b>90181-0100</b> | 1  | NU 1 |         |         | 2,25        |
| Phase barrier long for V-terminal 152 mm | 00   |      | <b>90181-0200</b> | 1  | NU 1 |         |         | 2,25        |
| Phase barrier 210 mm                     | 1    |      | <b>90184-0100</b> | 1  | NU 1 |         |         | 3,30        |
| Phase barrier 240 mm                     | 2    |      | <b>90184-0200</b> | 1  | NU 1 |         |         | 3,30        |
| Phase barrier                            | 3    |      | <b>30846-0100</b> | 1  | NU 1 |         |         | 3,35        |



90182-0100

**Contact cover**
**Properties:**

- for NH Fuse-Bases (series 336...)

| Description                       | Size | Amps | Order-No.         | PU | PG   | Sur. Ag | Sur. Cu | Price €/pc. |
|-----------------------------------|------|------|-------------------|----|------|---------|---------|-------------|
| Contact cover                     | 00   |      | <b>31009-0100</b> | 1  | NU 1 |         |         | 1,15        |
| Contact cover short               | 00   |      | <b>90182-0100</b> | 1  | NU 1 |         |         | 2,25        |
| Contact cover long for V-terminal | 00   |      | <b>90182-0200</b> | 1  | NU 1 |         |         | 2,25        |
| Contact cover                     | 1    |      | <b>90185-0100</b> | 1  | NU 1 |         |         | 3,30        |
| Contact cover                     | 2    |      | <b>90185-0200</b> | 1  | NU 1 |         |         | 3,30        |



90186-0100

**Fuse cover**
**Properties:**

- for NH Fuse-Bases (series 336...)

| Description | Size | Amps | Order-No.         | PU | PG   | Sur. Ag | Sur. Cu | Price €/pc. |
|-------------|------|------|-------------------|----|------|---------|---------|-------------|
| Fuse cover  | 00   |      | <b>90183-0100</b> | 1  | NU 1 |         |         | 2,25        |
| Fuse cover  | 1-2  |      | <b>90186-0100</b> | 1  | NU 1 |         |         | 9,90        |



85246-0100

**V-clamp**
**Properties:**

- for NH Fuse-Bases (series 336...)

| Description                       | Size | Amps | Order-No.         | PU | PG    | Sur. Ag | Sur. Cu | Price €/pc. |
|-----------------------------------|------|------|-------------------|----|-------|---------|---------|-------------|
| V-clamp 35 - 70 sm                | 00   |      | <b>85246-0100</b> | 1  | netto |         |         | 3,50        |
| V-clamp up to 240 mm <sup>2</sup> | 1-3  |      | <b>85542-0100</b> | 1  | netto |         |         | 15,00       |



33680-0010

**Neutral bar**

| Description                       | Size | Amps | Order-No.         | PU | PG   | Sur. Ag | Sur. Cu | Price €/pc. |
|-----------------------------------|------|------|-------------------|----|------|---------|---------|-------------|
| Neutral bar with flat terminal M8 | 00   | 160  | <b>33680-0010</b> | 1  | NU 1 | 0,003   | 0,009   | 9,95        |

## NH Fuse-Bases 690 V AC - 1500 V AC, 3-pole, Series SILAS



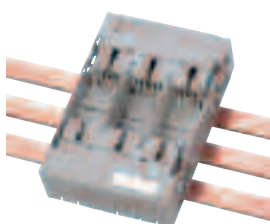
33300-0000

### For baseplate mounting

#### Properties:

- compact NH-Fuse-Base for baseplate mounting

| Description                            | Size | Amps | Order-No.         | PU | PG       | Sur. Ag | Sur. Cu | Price €/pc. |
|--|------|------|-------------------|----|----------|---------|---------|-------------|
| Multiple use terminal (screw M8)       | 00   |      | <b>33300-0000</b> | 1  | NT SILAS | 0,010   | 0,002   | 36,50       |
| Box terminal 1,5 to 70 mm <sup>2</sup> | 00   |      | <b>33301-0000</b> | 1  | NT SILAS | 0,010   | 0,016   | 39,85       |
| Multiple use terminal (screw M10)      | 1    |      | <b>33320-0000</b> | 1  | NT SILAS | 0,022   | 0,030   | 120,45      |
| Multiple use terminal (screw M10)      | 2    |      | <b>33330-0000</b> | 1  | NT SILAS | 0,033   | 0,466   | 158,00      |



33304-0000

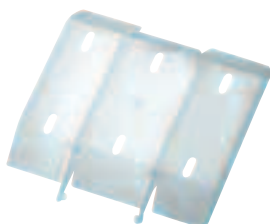
### For busbar mounting on 60 mm systems by hook contacting

#### Properties:

- compact NH-Fuse-Base for busbar mounting

| Description                         | Size | Amps | Order-No.         | PU | PG       | Sur. Ag | Sur. Cu | Price €/pc. |
|-------------------------------------|------|------|-------------------|----|----------|---------|---------|-------------|
| Multiple use terminal (screw M8)    | 00   | 160  | <b>33304-0000</b> | 1  | NT SILAS | 0,013   | 0,020   | 60,80       |
| Box terminal 1,5-70 mm <sup>2</sup> | 00   | 160  | <b>33305-0000</b> | 1  | NT SILAS | 0,013   | 0,020   | 63,00       |
| Multiple use terminal (screw M10)   | 1    | 250  | <b>33321-0000</b> | 1  | NT SILAS | 0,022   | 0,072   | 146,00      |
| Multiple use terminal (screw M10)   | 2    | 400  | <b>33331-0000</b> | 1  | NT SILAS | 0,036   | 0,194   | 199,00      |

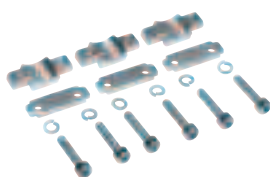
## Accessories for NH Fuse-Bases, Series SILAS



36996-0010

### Fuse cover series SILAS

| Description        | Size | Amps | Order-No.         | PU | PG       | Sur. Ag | Sur. Cu | Price €/pc. |
|--------------------|------|------|-------------------|----|----------|---------|---------|-------------|
| Fuse cover size 00 | 00   |      | <b>36996-0010</b> | 1  | NT SILAS |         |         | 3,45        |



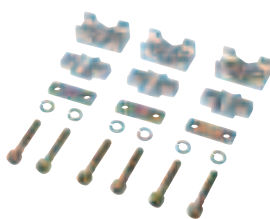
36934-0010

### Pressure plates for Cu-Conductor se, sm an laminated copper

#### Properties:

- Easy supplementation for the connection of Cu conductors, se, sm und laminated copper  
- 1 Set = 3 pcs.

| Description               | Size | Amps | Order-No.         | PU | PG       | Sur. Ag | Sur. Cu | Price €/pc. |
|---------------------------|------|------|-------------------|----|----------|---------|---------|-------------|
| 6 - 50 mm <sup>2</sup>    | 00   |      | <b>36934-0010</b> | 1  | NT SILAS |         |         | 2,45        |
| 70 - 150 mm <sup>2</sup>  | 1    |      | <b>36936-0010</b> | 1  | NT SILAS |         |         | 20,30       |
| 120 - 240 mm <sup>2</sup> | 2    |      | <b>36997-0010</b> | 1  | NT SILAS |         |         | 34,20       |



36975-0010

### Contact prism for copper and aluminium

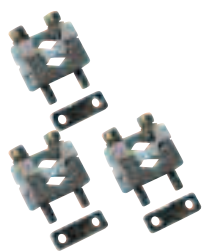
#### Properties:

- Easy supplementation for the connection of Cu- and Al conductor  
- 1 Set = 3 pcs.

| Description               | Size | Amps | Order-No.         | PU | PG       | Sur. Ag | Sur. Cu | Price €/pc. |
|---------------------------|------|------|-------------------|----|----------|---------|---------|-------------|
| 6 - 70 mm <sup>2</sup>    | 00   |      | <b>36975-0010</b> | 1  | NT SILAS |         |         | 7,90        |
| 70 - 150 mm <sup>2</sup>  | 1    |      | <b>36942-0010</b> | 1  | NT SILAS |         |         | 46,65       |
| 120 - 240 mm <sup>2</sup> | 2    |      | <b>36943-0010</b> | 1  | NT SILAS |         |         | 66,30       |
| 150 - 300 mm <sup>2</sup> | 3    |      | <b>36991-0010</b> | 1  | NT SILAS |         |         | 72,60       |



## Accessories for NH Fuse-Bases, Series SILAS



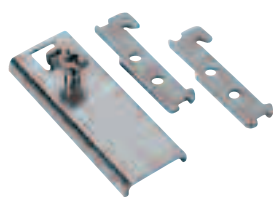
36982-0010

### Contact prism for two copper and aluminium conductors

**Properties:**

- Supplement for the connection of two cables
- 1 Set = 3 pcs.

| Description                   | Size  | Amps | Order-No.         | PU | PG       | Sur. Ag | Sur. Cu | Price €/pc. |
|-------------------------------|-------|------|-------------------|----|----------|---------|---------|-------------|
| 2 x 35 - 70 mm <sup>2</sup>   | 1     |      | <b>36982-0010</b> | 1  | NT SILAS |         |         | 87,80       |
| 35 - 150 mm <sup>2</sup>      | 1     |      | <b>36992-0010</b> | 1  | NT SILAS |         |         | 17,10       |
| 2 x 70 - 120 mm <sup>2</sup>  | 2     |      | <b>36983-0010</b> | 1  | NT SILAS |         |         | 100,50      |
| 95 - 300 mm <sup>2</sup>      | 2 - 3 |      | <b>36994-0010</b> | 1  | NT SILAS |         |         | 22,45       |
| 2 x 150 - 185 mm <sup>2</sup> | 3     |      | <b>36984-0010</b> | 1  | NT SILAS |         |         | 113,25      |



36937-0010

### Quick fixing set

**Properties:**

- Quick fixing onto supporting rails with spacing 125 or 150 mm

| Description   | Size | Amps    | Order-No.         | PU | PG       | Sur. Ag | Sur. Cu | Price €/pc. |
|---|------|---------|-------------------|----|----------|---------|---------|-------------|
| Quick fixing set for supporting rails, distance 125 or 150 mm | 00-1 | 160-250 | <b>36937-0010</b> | 1  | NT SILAS |         |         | 5,60        |



36994-0010

### Box terminal

**Properties:**

- Supplement from screws to clamps
- 1 Set = 3 pcs.

| Description              | Size  | Amps    | Order-No.         | PU | PG       | Sur. Ag | Sur. Cu | Price €/pc. |
|--------------------------|-------|---------|-------------------|----|----------|---------|---------|-------------|
| 35 - 150 mm <sup>2</sup> | 1     | 250     | <b>36992-0010</b> | 1  | NT SILAS |         |         | 17,10       |
| 95 - 300 mm <sup>2</sup> | 2 - 3 | 400-630 | <b>36994-0010</b> | 1  | NT SILAS |         |         | 22,45       |

## Product overview Standard-Fuse-bases

| Size                        | 00      | 1   | 2   | 3   |
|-----------------------------|---------|-----|-----|-----|
| Nominal current (A)         | 125/160 | 250 | 400 | 630 |
| 1-pole, Baseplate mounting  | •       | •   | •   | •   |
| 3-pole, Baseplate mounting  | •       | •   | •   | •   |
| Busbar mounting Size 00 - 3 | •       | •   | •   | •   |
| Supporting-rail mounting    | •       |     |     |     |

## Product overview Special designs

| Size                             | 000 | 3L |
|----------------------------------|-----|----|
| 1-pole, AC 1500 V                |     | •  |
| 3-pole, Supporting-rail mounting | •   |    |

## Product overview NH Fuse-Bases, series SILAS, 3-pole

| Size                     | 00      | 1   | 2   |
|--------------------------|---------|-----|-----|
| Nominal current (A)      | 125/160 | 250 | 400 |
| Baseplate mounting       | •       | •   | •   |
| Supporting-rail mounting | •       | •   | •   |

## Technical Data acc. to VDE 0636 T201/IEC 60269-2-1

| For NH Fuse-Links acc. to DIN 43620/1                       | Size | 000          | 00    | 1    | 2    | 3    | 3L  |
|---|------|--------------|-------|------|------|------|-----|
| Rated current $I_N$   | A    | 125          | 160   | 250  | 400  | 630  | 630 |
| Rated voltage $U_N$   | V    | 690          |       |      |      |      |     |
| Current type and rated frequency                            |      | AC 50Hz      |       |      |      |      |     |
| Rated insulation voltage $U_i$                              | V    | 690          |       |      |      |      |     |
| r.m.s value of the power-frequency test voltage for 60s     | V    | 2500         |       |      |      |      |     |
| Maximum cut-off current / (when protected by NH Fuse-Links) | kA   | 25           | 25    | 38   | 48   | 70   | 25  |
| Permissible ambient temperature                             | °C   | -25 till +55 |       |      |      |      |     |
| Degree of protection DIN/EN 60529/VDE 0470 T1               | IP   | IP 3x        | IP 00 |      |      |      |     |
| Maximum power dissipation of the NH Fuse-Links              | W    | 12           | 12    | 32   | 45   | 60   | 132 |
| Weight without NH Fuse-Links 1-pole                         | kg   | -            | 0,14  | 0,34 | 0,41 | 0,62 | 1,6 |
| Weight without NH Fuse-Links 3-pole                         | kg   | 0,33         | 0,52  | 1,03 | 1,22 | -    | -   |
| Weight without NH Fuse-Links 3-pole series SILAS            | kg   | -            | 0,50  | 1,4  | 2,10 | -    | -   |

## Tightening torques for terminal and busbar mounting

| Size  | NH 000                | NH 00 | NH 1 | NH 2 | NH 3 |
|---|-----------------------|-------|------|------|------|
| Typ of terminal                               | Tightening Torques Nm |       |      |      |      |
| Universal terminal (Screw-type)               | -                     | 12    | 20   | 20   | 20   |
| Pressure plates with screws                   | -                     | 3     | 6    | 8    | 8    |
| Pressure plates with screws and contact prism | -                     | 3     | 6    | 8    | 8    |
| Box terminal                                  | -                     | 6     | 6    | 8    | 8    |
| Busbar contacting                             | 4,5                   | 4,5   | 12   | 20   | 20   |



## NH Fuse-Bases 1-pole for baseplate mounting / supporting-rail mounting

Technical data

**NH Fuse-Bases size 00-3, for baseplate mounting**

| Description   | Size | Amps I <sub>n</sub> | Order no.  | Description         | Pack | Weight in kg |
|---|------|---------------------|------------|---------------------|------|--------------|
| Multiple use terminal with pressure plates for cable 1,5–50 mm <sup>2</sup>           | 00   | 125                 | 33600-0030 | NH-UNT 00 125A U3U3 | 12   | 0,14         |
| with flat terminal, screw and nut M8  | 00   | 160                 | 33600-0010 | NH-UNT 00 160A L4L4 | 12   | 0,14         |
| with inserted nut and screw M8  | 00   | 160                 | 33600-0020 | NH-UNT 00 160A G4G4 | 12   | 0,14         |
| Multiple use terminal with pressure plates and prism for cable 1,5–70 mm <sup>2</sup> | 00   | 160                 | 33600-0040 | NH-UNT 00 160A U4U4 | 12   | 0,14         |
| with V-stamped (clamps not included)  | 00   | 160                 | 33600-0050 | NH-UNT 00 160A V2V2 | 3    | 0,14         |
| Clamp for 2 x 35 mm <sup>2</sup>  | 00   | 160                 | 33600-0060 | NH-UNT 00 160A S9S9 | 3    | 0,14         |
| Neutral bar with flat terminal  | 00   | 160                 | 33680-0010 | NULLSCHIENE 00L4L4  | 10   | 0,120        |
| flat terminal M8  | 00   | 160                 | 33120-0010 | NH-UNT 00 160A G4G4 | 10   | 0,120        |
| with flat terminal, screw and nut M10   | 1    | 250                 | 33627-0010 | NH-UNT 1 250A L5L5  | 3    | 0,34         |
| with inserted nut and screw M10   | 1    | 250                 | 33627-0020 | NH-UNT 1 250A G5G5  | 3    | 0,34         |
| with V-stamped (clamps not included)  | 1    | 250                 | 33627-0050 | NH-UNT 1 250A V2V2  | 3    | 0,34         |
| with flat terminal, screw and nut M10   | 2    | 400                 | 33632-0010 | NH-UNT 2 400A L5L5  | 3    | 0,41         |
| with inserted nut and screw M10   | 2    | 400                 | 33632-0020 | NH-UNT 2 400A G5G5  | 3    | 0,41         |
| with V-stamped (clamps not included)  | 2    | 400                 | 33632-0050 | NH-UNT 2 400A V2V2  | 3    | 0,41         |
| with flat terminal, screw and nut M12   | 3    | 630                 | 33035-0020 | NH-UNT 3 L6L6       | 3    | 0,62         |
| with inserted screw nut M10   | 3    | 630                 | 33036-0020 | NH-UNT 3 G5G5       | 3    | 0,62         |

**NH Fuse-Bases size 00, for mounting onto supporting rails**

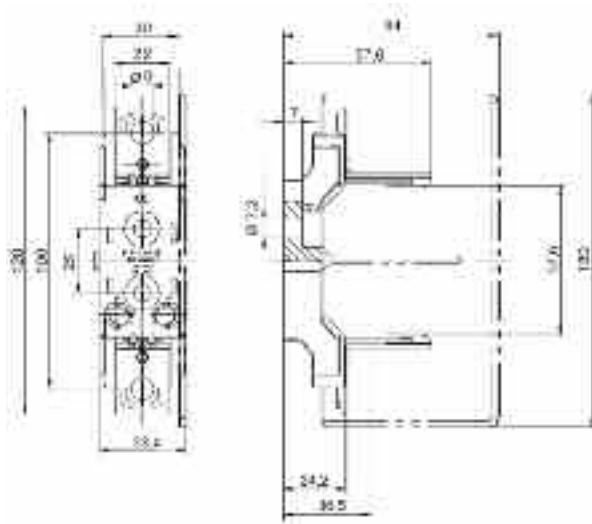
| Description   | Size | Amps I <sub>n</sub> | Order no.  | Description             | Pack | Weight in kg |
|---|------|---------------------|------------|-------------------------|------|--------------|
| with flat terminal, screw and nut M8  | 00   | 160                 | 33602-0010 | NH-UNT 00 160A HB L4L4  | 12   | 0,14         |
| with inserted nut and screw M8  | 00   | 160                 | 33602-0020 | NH-UNT 00 160A HB G4G4  | 12   | 0,14         |
| Multiple use terminal with pressure plates for cable 1,5-50 mm <sup>2</sup>           | 00   | 125                 | 33602-0030 | NH-UNT 00 125A HB U3U3  | 12   | 0,14         |
| Multiple use terminal with pressure plates and prism for cable 1,5-70 mm <sup>2</sup> | 00   | 160                 | 33602-0040 | NH-UNT 00 160A HB U4U4  | 12   | 0,14         |
| with V-stamped (clamps not included)  | 00   | 160                 | 33602-0050 | NH-UNT 00 160A HB V2V2  | 12   | 0,14         |
| Clamp for 2 x 35 mm <sup>2</sup>  | 00   | 160                 | 33602-0060 | NH-UNT 00 160A HB S9S9  | 12   | 0,14         |
| Flat terminal M8  | 00   | 160                 | 33120-0070 | NH-Unt 00 160 A HN G4G4 | 10   | 0,130        |

NH Fuse-Bases

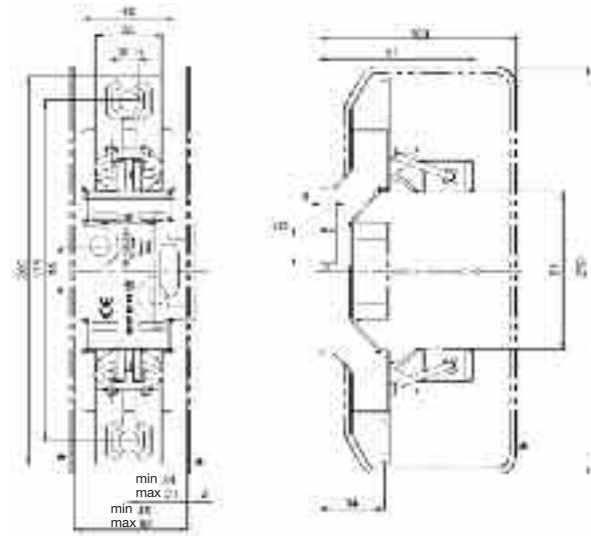
1-pole for baseplate mounting / supporting-rail mounting

Dimensions drawings

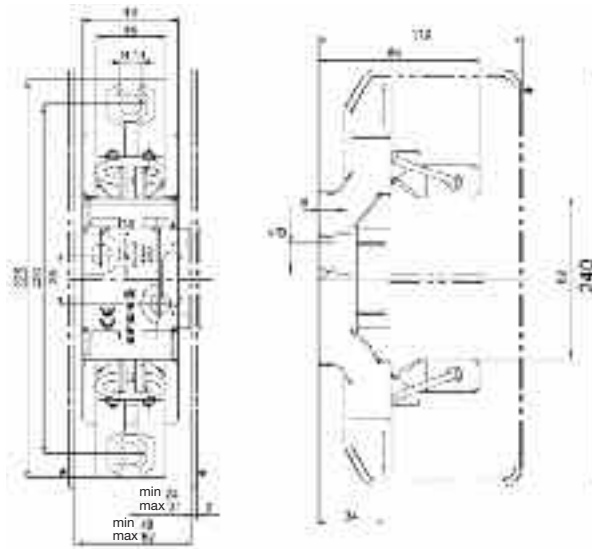
Size 00, row 336....



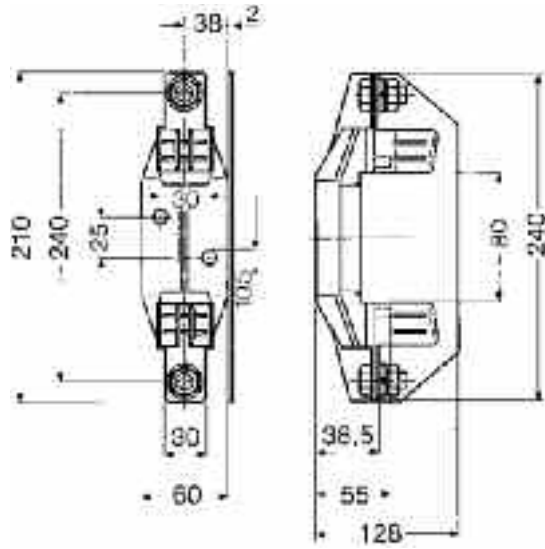
Size 1, row 336...



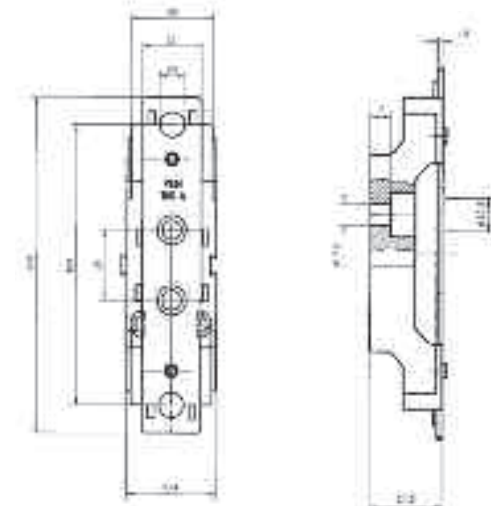
Size 2, row 336...



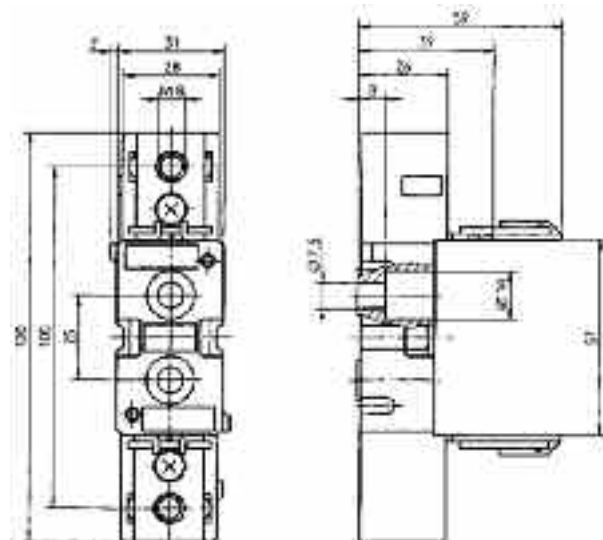
Size 3, row 336....



Neutral bar Size 00



NH Fuse-Base Size 00 33120....



NU

## NH Fuse-Bases 1-pole for busbar mounting / baseplate mounting

Technical data

**NH-Fuse-Bases size 00-3, for busbar mounting acc. to DIN 43870**

| Description                           | Size | Amps I <sub>n</sub> | Order no.  | Description            | Pack | Weight in kg |
|---------------------------------------|------|---------------------|------------|------------------------|------|--------------|
| Flat terminal M8, Mounting by clamps  | 00   | 160                 | 33003-0020 | NH-UNT 00 160A SB F2L4 | 10   | 0,14         |
| Flat terminal M8, Mounting by hooks   | 00   | 160                 | 33001-0020 | NH-UNT 00 160A SB F1L4 | 10   | 0,14         |
| Flat terminal M12, Mounting by screws | 1-3  | 250-630             | 33135-0010 | NH-UNT 1-3 SB SH L6    | 3    | 0,14         |

**NH-Fuse-Bases size 3L, 1500 V AC, for baseplate mounting**

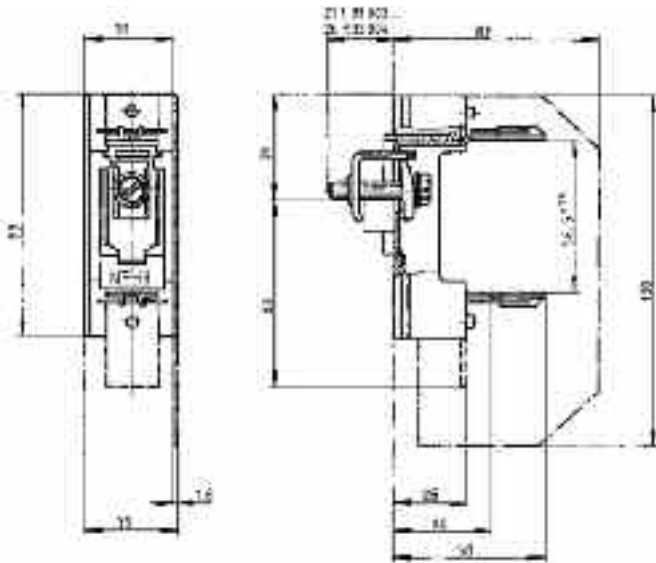
| Description                             | Size | Amps I <sub>n</sub> | Order no.  | Description               | Pack | Weight in kg |
|---|------|---------------------|------------|---------------------------|------|--------------|
| Inserted screw nut M12, without striker | 3L   | 425                 | 33039-0010 | NH-UNT 3L 1500 V G6 G6    | 1    | 1,24         |
| Inserted screw nut M12, with striker    | 3L   | 425                 | 33041-0010 | NH-UNT 3L 1500 V Ms G6 G6 | 1    | 1,24         |
| Inserted screw nut M16, without striker | 3L   | 630                 | 33040-0010 | NH-UNT 3L 1500 V G8 G8    | 1    | 1,24         |
| Inserted screw nut M16, with striker    | 3L   | 630                 | 33042-0010 | NH-UNT 3L 1500 V Ms G8 G8 | 1    | 1,24         |

NH Fuse-Bases

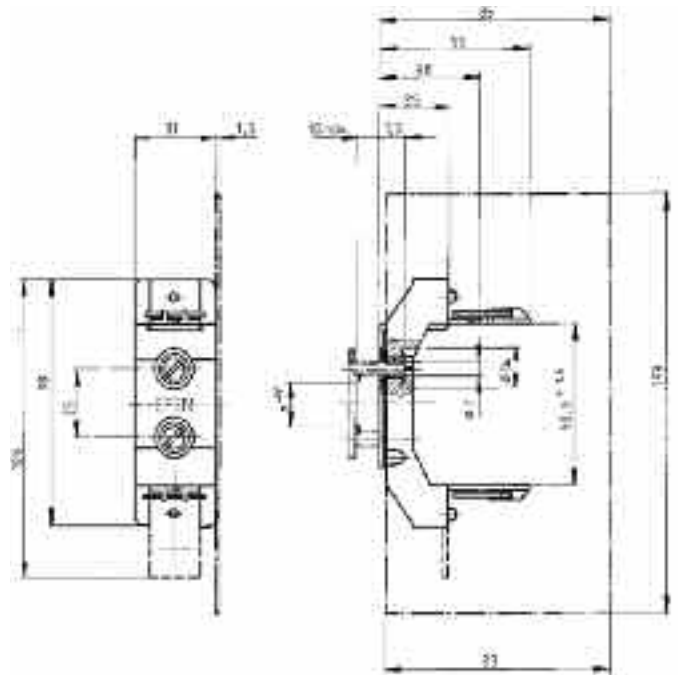
1-pole for busbar mounting / baseplate mounting

Dimensions drawings

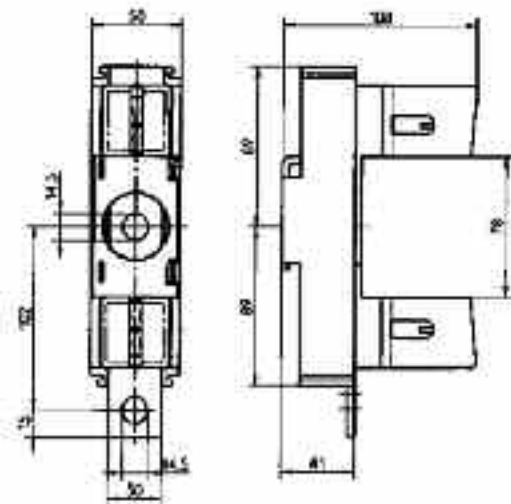
Size 00, 33003-0020



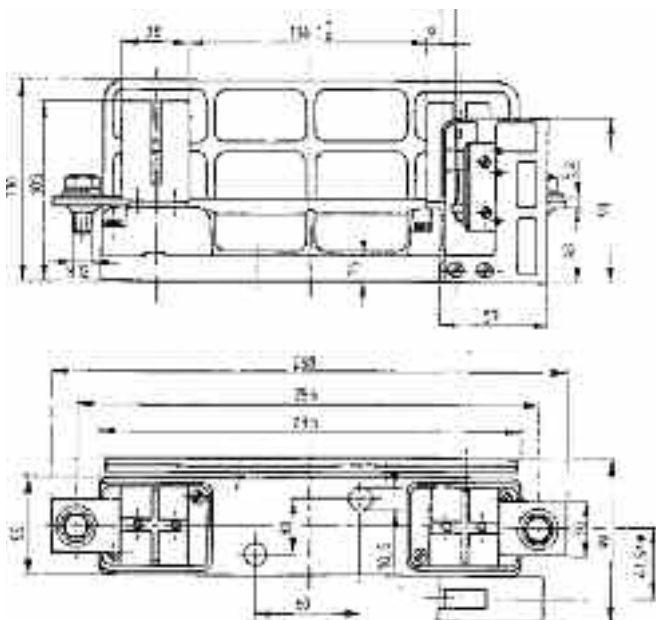
Size 00, 33001-0020



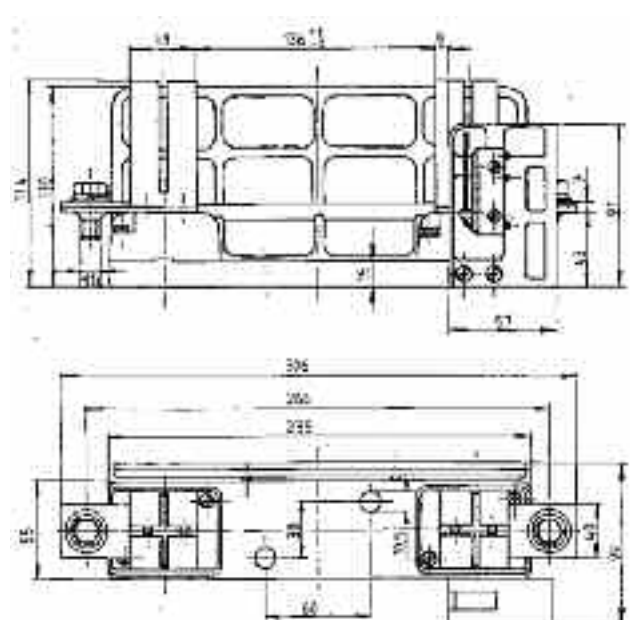
Size 3, 33135-0010



Size 3L / Inserted screw nut M12, 425 A, 33039-0010/33040-0010



Inserted screw nut M16, 630 A 33041-0010/33042-0010



NU

## NH Fuse-Bases 3-pole for baseplate- or supporting-rail mounting

Technical data

**NH Fuse-Base 690 V AC, 3-pole for baseplate- or supporting-rail mounting**

| Description   | Size | Amps I <sub>n</sub> | Order no.  | Description            | Pack | Weight in kg |
|---|------|---------------------|------------|------------------------|------|--------------|
| Flat terminal M8  | 00   | 160                 | 33608-0010 | NH-UNT 00 3P 160A L4L4 | 4    | 0,52         |
| Inserted screw nut M8   | 00   | 160                 | 33608-0020 | NH-UNT 00 3P 160A G4G4 | 4    | 0,52         |
| Multiple use terminal with pressure plates for cable für Kabel 1,5–50 mm <sup>2</sup> | 00   | 125                 | 33608-0030 | NH-UNT 00 3P 125A U3U3 | 4    | 0,52         |
| Multiple use terminal with pressure plates and prism for cable 1,5–70 mm <sup>2</sup> | 00   | 160                 | 33608-0040 | NH-UNT 00 3P 160A U4U4 | 4    | 0,52         |
| V-stamped (clamps not included)   | 00   | 160                 | 33608-0050 | NH-UNT 00 3P 160A V2V2 | 4    | 0,52         |
| Clamp for 2 x 35 mm <sup>2</sup>  | 00   | 160                 | 33608-0060 | NH-UNT 00 3P 160A S9S9 | 4    | 0,52         |
| Flat terminal M10   | 1    | 250                 | 33631-0010 | NH-UNT 1 3P 250A L5L5  | 1    | 1,03         |
| Inserted screw nut M10  | 1    | 250                 | 33631-0020 | NH-UNT 1 3P 250A G5G5  | 1    | 1,03         |
| V-stamped (clamps not included)   | 1    | 250                 | 33631-0050 | NH-UNT 1 3P 250A V2V2  | 1    | 1,03         |
| Flat terminal M10   | 2    | 400                 | 33633-0010 | NH-UNT 2 3P 400A L5L5  | 1    | 1,22         |
| Inserted screw nut M10  | 2    | 400                 | 33633-0020 | NH-UNT 2 3P 400A G5G5  | 1    | 1,22         |
| V-stamped (clamps not included)   | 2    | 400                 | 33633-0050 | NH-UNT 2 3P 400A V2V2  | 1    | 1,22         |
| Flat terminal M12   | 3    | 630                 | 33037-0010 | NH-UNT 3 3P L6L6       | 1    | 2,57         |

**NH Fuse-Base 690 V AC, 3-pole for supporting-rail mounting**

| Description                         | Size | Amps I <sub>n</sub> | Order no.  | Description                | Pack | Weight in kg |
|-------------------------------------|------|---------------------|------------|----------------------------|------|--------------|
| Box terminal 1,5–50 mm <sup>2</sup> | 000  | 100                 | 33125-0010 | NH-UNT 000 3P 160A HB R4R4 | 10   | 0,33         |



# NH Fuse-Bases SILAS 690 V AC

## 3-pole, Size 00-2

### Technical data

#### For baseplate mounting

| Description                         | Size | Amps I <sub>n</sub> | Order no.  | Description             | Pack | Weight in kg |
|-------------------------------------|------|---------------------|------------|-------------------------|------|--------------|
| Multiple use terminal (screw M8)    | 00   | 160                 | 33300-0000 | SILAS NH-UNT 00 3P G4G4 | 1    | 0,50         |
| Box terminal 2,5-95 mm <sup>2</sup> | 00   | 160                 | 33301-0000 | SILAS NH-UNT 00 3P RR   | 1    | 0,60         |
| Multiple use terminal (screw M10)   | 1    | 250                 | 33320-0000 | SILAS NH-UNT 1 3P G5G5  | 1    | 1,40         |
| Multiple use terminal (screw M10)   | 2    | 400                 | 33330-0000 | SILAS NH-UNT 2 3P G5G5  | 1    | 2,10         |

#### For busbar mounting on 60 mm systems with hook contacting

| Description                         | Size | Amps I <sub>n</sub> | Order no.  | Description                | Pack | Weight in kg |
|-------------------------------------|------|---------------------|------------|----------------------------|------|--------------|
| Multiple use terminal (screw M8)    | 00   | 160                 | 33304-0000 | SILAS NH-UNT 00 SB 3P G4   | 1    | 0,60         |
| Box terminal 2,5-95 mm <sup>2</sup> | 00   | 160                 | 33305-0000 | SILAS NH-UNT 00 SB 3P R    | 1    | 0,60         |
| Multiple use terminal (screw M10)   | 1    | 250                 | 33321-0000 | SILAS NH-UNT 1 SB 60 3P G5 | 1    | 1,50         |
| Multiple use terminal (screw M10)   | 2    | 400                 | 33331-0000 | SILAS NH-UNT 2 SB 60 3P G5 | 1    | 2,40         |

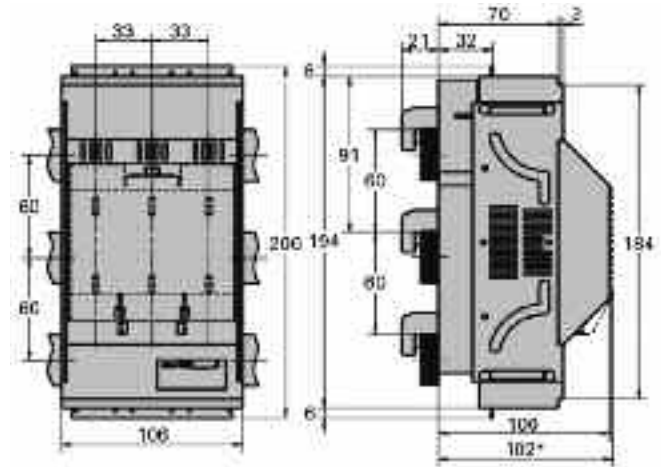
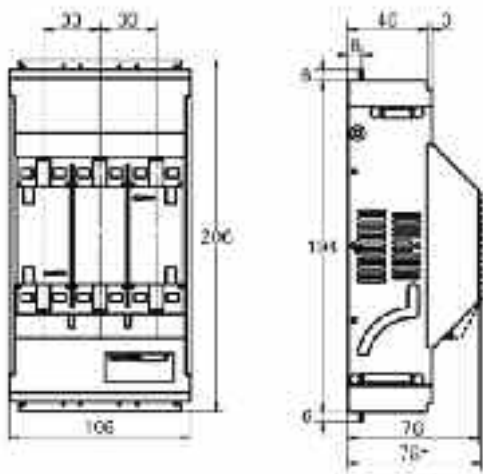


NH Fuse-Bases SILAS 690 V AC  
3-pole, Size 00-2

Dimensions drawings

Size 00

Busbar mounting Size 00

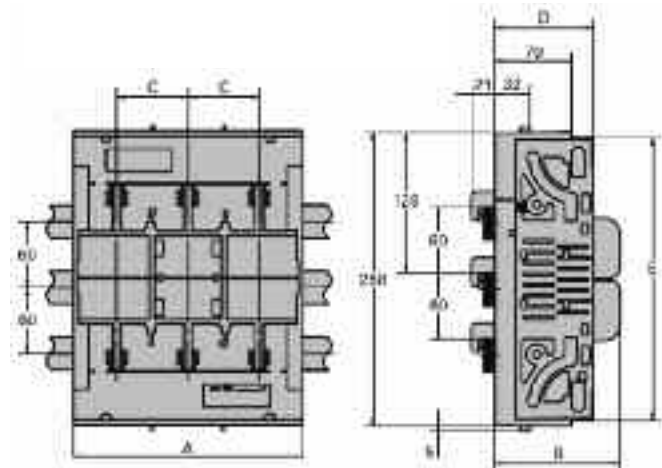
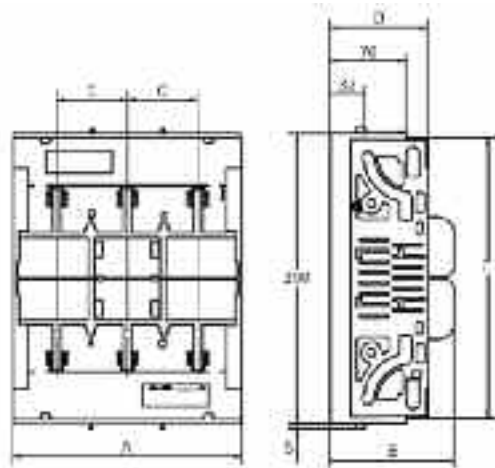


\* = with fuse cover

\* = with fuse cover

Size 1/2

Busbar mounting Size 1/2



|        | A   | B   | C  | D  | E   |
|--------|-----|-----|----|----|-----|
| Size 1 | 184 | 96  | 57 | 70 | 258 |
| Size 2 | 210 | 114 | 65 | 90 | 258 |

NU